



# vitradual™

NON-COMBUSTIBLE CASSETTE CLADDING / MANUFACTURED BY FAIRVIEW



## PRODUCT INTRODUCTION



# FAIRVIEW

DEFINING ARCHITECTURE SINCE 1963



[WWW.FV.COM.AU](http://WWW.FV.COM.AU)

# ABOUT



vitradual™

NON-COMBUSTIBLE CASSETTE CLADDING / MANUFACTURED BY FAIRVIEW

## PRODUCT DESCRIPTION

Manufactured by Fairview; Vitradual is a 3mm non-combustible aluminium cassette cladding system.

Designed to complement our existing Vitracore G2; Vitradual forms part of Fairview's range of BCA compliant, Deemed to Satisfy non-combustible aluminium composite panel solutions, as we continue to lead the industry in addressing the issue of combustible facades.

Vitradual is a durable, high impact resistant, solid panel which can be curved, rolled and perforated. Vitradual features the same PVDF coating system as Vitrabond; well proven for its superior quality, extensive colour range and integrity; unlike traditional 3mm powder-coated aluminium.

Panels are prefinished; the flexibility of PVDF coatings means they do not require fabrication prior to coating like traditional powder-coated cassettes, which minimises lead-times, damage and costs.

## KEY FEATURES



NON-COMBUSTIBLE



PVDF COATING SYSTEM



DURABLE, HIGH IMPACT RESISTANT SOLID PANEL



PANELS ARE PREFINISHED



CAN BE CURVED, ROLLED AND PERFORATED



15 YEAR WARRANTY



COST EFFECTIVE



AVAILABLE IN MANY FINISH OPTIONS

## FIRE RESISTANCE

In today's Architecture, it is the technical details, as well as the appearance that count; such as sustainability, thermal insulation, and fire protection.

Vitradual is one of the few large format cladding panels that are non-combustible and when tested to AS1530.1.

Visually, Vitradual is the same as traditional composite panel, however what makes it different is the fact it is constructed from 100% solid aluminium, rather than combustible material such as polyethylene and fire rated mineral. This makes Vitradual, in addition to Vitracore G2, an ideal product for all applications where fire resistance is required; be it high-rise buildings, Schools, Hospitals.

As with all building products, the use of Vitradual must be authorised by the regulatory body.

The Fire Resistance standards achieved with standard Vitradual are as follows

VITRADUAL			
TEST STANDARD	RESULT		
AS1530.1	NON-COMBUSTIBLE		
AS1530.3	PASS	Ignitability Index	0
	PASS	Heat Evolved	0
	PASS	Spread of Flame	0
	PASS	Smoke Developed	1

## INFRASTRUCTURE

Vitradual is an ideal cladding solution for infrastructure projects such as schools and hospitals as it is high impact resistant as well as being BCA compliant, deemed-to-satisfy non-combustible. The PVDF coating system also adds a superior finish which provides optimum resistance to weather and industrial pollutants.

# QUALITY



vitradual™

NON-COMBUSTIBLE CASSETTE CLADDING / MANUFACTURED BY FAIRVIEW

## MANUFACTURING QUALITY

---

A dedication to the total fulfillment of our client's and customer's expectations is reflected by a complete quality control system, beginning at the point of specification and continuing through to delivery of the guaranteed products. All activities are carried out in a manner which:

- Uses the framework of ISO9000 Quality Standards to verify the quality of our systems
- Ensures that our products and services are of the highest standards
- Create continuous improvements to our product through the application of the best quality practices.

## ACCEPTANCE VARIATION

---

WIDTH	±2.0 mm
LENGTH	±4.0 mm
THICKNESS	±2% for 3 mm & 4 mm; 3% for 6 mm
BOW MAXIMUM	0.5% of the length and/or width
SQUARENESS MAXIMUM	5.0 mm
SURFACE DEFECTS	The surface shall not have any irregularities such as dents, scratches and other imperfections in accordance with our quality assurance

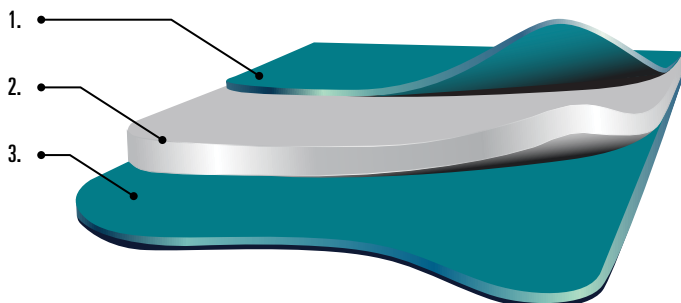
## WARRANTY

---

The standard warranty is 15 years, with longer warranties available on a project specific basis.

# PROPERTIES

## TYPICAL COMPOSITION



1. PVDF-Kynar 500 coating system
2. 3mm Aluminium
3. Polyester Anti-corrosion Coating

The material is rigid, resistant to blows, breakage and pressure, and has high bending, buckling and breaking strengths.

## DIMENSIONS

WIDTH	LENGTH	THICKNESS
1250	2500	3mm
	3200	
	4000	
CUSTOM SIZES ARE AVAILABLE, PLEASE SPEAK TO THE FAIRVIEW TEAM		

\* May not be available in all finishes.

## WEIGHT

THICKNESS	WEIGHT (kg/m <sup>2</sup> )
3mm	7.9

# TECHNICAL DATA

CLASSIFICATION	TEST STANDARD	UNIT	VITRADUAL
PANEL WEIGHT		[kg/m <sup>2</sup> ]	7.9
THICKNESS		[mm]	3
THICKNESS OF ALUMINIUM FACE		[mm]	3
WIDTH		[mm]	
<b>ALUMINIUM SKIN</b>			
ALLOY/TEMPER OF ALUMINIUM LAYERS			Minimum 3000 series
<b>SURFACE PROPERTIES (PVDF COATINGS)</b>			
DRY FILM THICKNESS (NOMINAL)	ASTM D1400		0.20-0.30 mil primer 0.70-0.80 mil topcoat
GLOSS	ASTM D523		Standard @ 60°: 25-35 Duranar LG @ 85°: <10
PENCIL HARDNESS	ASTM D3363		F-2H
FLEXIBILITY	T-Bend, ASTM D4145		0-2 T-Bend; No pick-off
ADHESION	ASTM D3359 Reverse Impact 1/16' crosshatch		No adhesion loss
REVERSE IMPACT	ASTM D2794		1.5 x Metal thickness (aluminium): No cracking or adhesion loss
ACID RESISTANCE	ASTM D1308		10% Muriatic acid - 24 hrs: No effect
ACID RAIN TEST	Kesternich SO <sub>2</sub> , DIN 50018		15 Cycles min. No objectionable colour change
ALKALI RESISTANCE	ASTM D1308 10%, 25%, NaOH, 1 hr.		No effect
SALT SPRAY RESISTANCE	ASTM B117 5% salt fog @ 95°F		Passes 4000 hrs. Less than 1/1' avg. creepage from scribe; None or few #8 blisters
HUMIDITY RESISTANCE	ASTM D714 ASTM D2247 100% relative humidity @ 95°F		Passes 4000 hrs. No #8 blisters
EXTERIOR EXPOSURE	10 yrs. @ 45°, South Florida ASTM D2244/ASTM D4214		Max. 5 fade Max. 8 chalk

# FINISHES



vitradual™

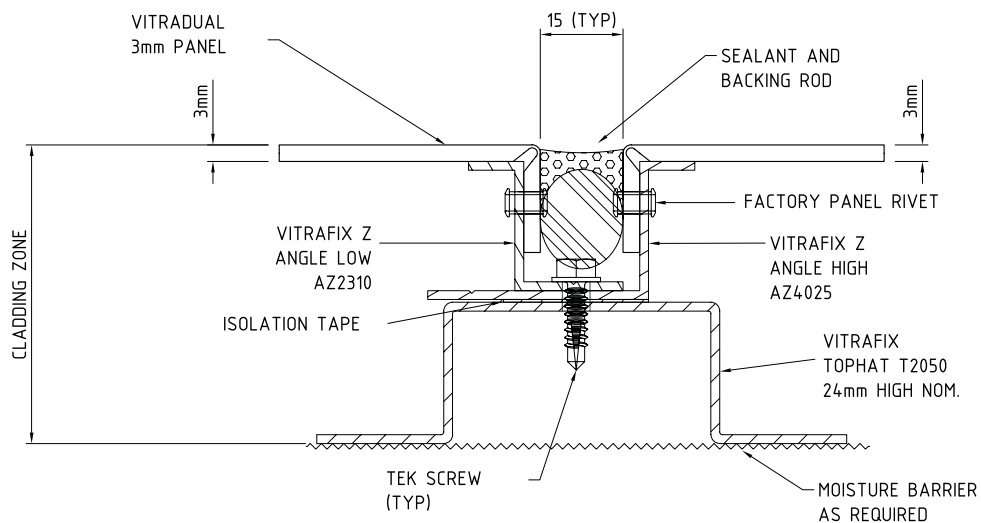
NON-COMBUSTIBLE CASSETTE CLADDING / MANUFACTURED BY FAIRVIEW

## STOVE LACQUERING

Vitradual uses only the highly recognised PVDF KYNAR 500 or FEVE paints known for their high durability. These premium paints provide an optimum resistance to weather and industrial pollution. More than 40 years of South Florida Exposure Testing is continuing to confirm the superior chemical and physical properties of fluoropolymer coatings.

Vitradual has unlimited colour, we are able to match any finish, from any colour range.

## FIXING SYSTEM



For more details, please refer to the Vitradual Installation Manual



# vitradual™

NON-COMBUSTIBLE CASSETTE CLADDING / MANUFACTURED BY FAIRVIEW

## FAIRVIEW PRODUCT RANGE:



**vitrabond®**

ALUMINIUM COMPOSITE PANEL / MANUFACTURED BY FAIRVIEW



**ceramapanel™**

COMPRESSED FIBRE CEMENT FACADE / MANUFACTURED BY FAIRVIEW



**vitrastone™**

NATURAL STONE CLADDING SYSTEM / MANUFACTURED BY FAIRVIEW



**vitraART™**

CUSTOM GRAPHIC CLADDING / DEVELOPED BY FAIRVIEW



**vitracade™**

TERRACOTTA FACADE SYSTEMS / MANUFACTURED BY FAIRVIEW



**vitracore G2®**

NON-COMBUSTIBLE COMPOSITE PANEL / MANUFACTURED BY FAIRVIEW



**vitrafix™**

VITRABOND FIXING ACCESSORIES / MANUFACTURED BY FAIRVIEW



**vitranamel®**

VITREOUS ENAMEL PANEL / MANUFACTURED BY FAIRVIEW



INSULATED SANDWICH PANEL / SUPPLIED BY FAIRVIEW



NON-COMBUSTIBLE FACADE PANEL / SUPPLIED BY FAIRVIEW



TERRACOTTA FACADE TILES / SUPPLIED BY FAIRVIEW



HIGH DENSITY FIBRE CEMENT / SUPPLIED BY FAIRVIEW



**FAIRVIEW**

DEFINING ARCHITECTURE SINCE 1963

**AUSTRALASIA**

P / +61 2 6352 2355  
helpdesk@fv.com.au

**UNITED KINGDOM**

P / +44 1278 428 245  
helpdesk.uk@fairviewarch.com



**WWW.FV.COM.AU**